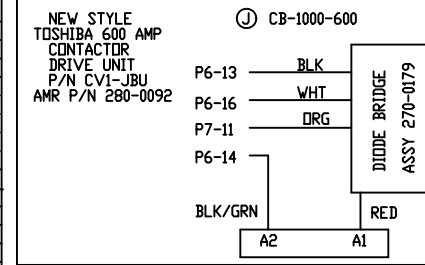
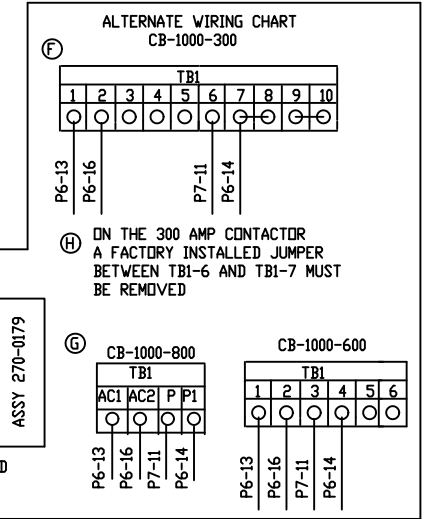
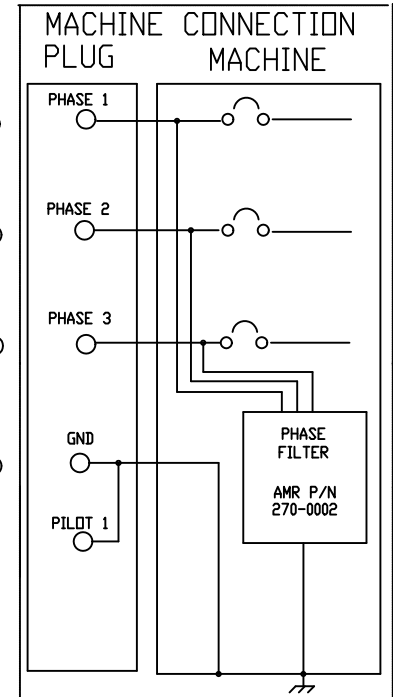
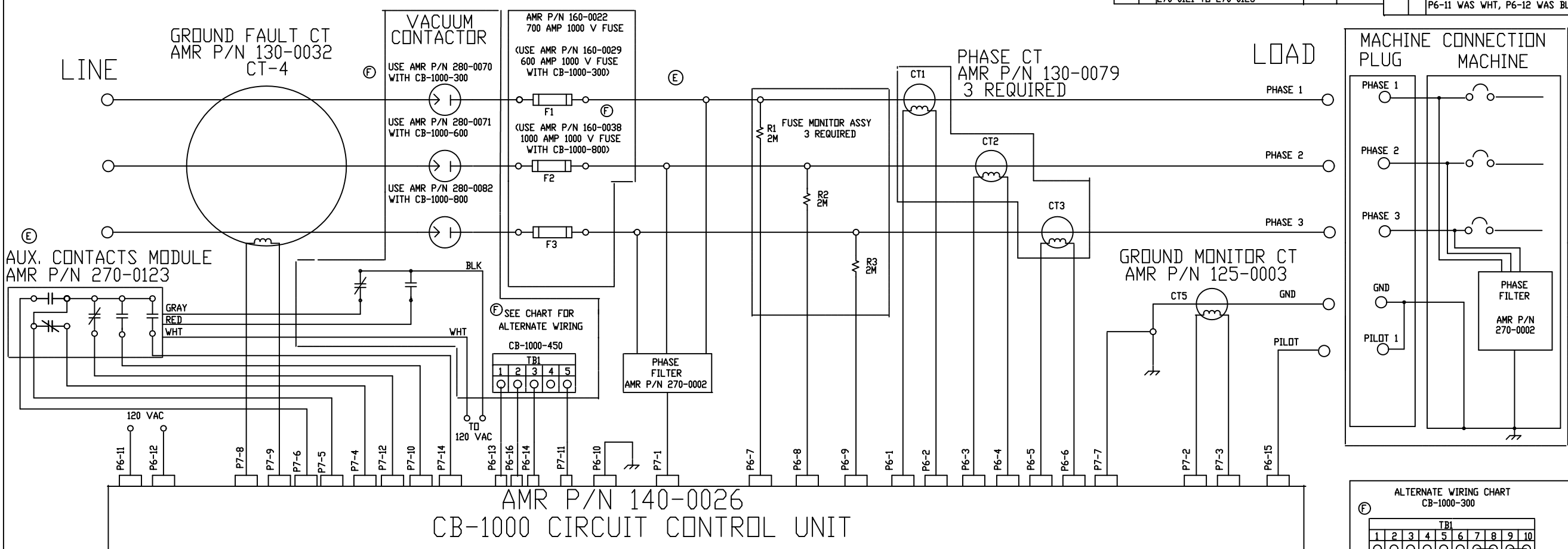


revisions					revisions					revisions				
zone	ltr	description	date	approved	zone	ltr	description	date	approved	zone	ltr	description	date	approved
#	B	ADDED PILOT WIRELESS INFO	5/91	TEP	#	F	ADDED ALTERNATE WIRING CHARTS FOR TBI.	9/92	RWY	#	H	ADDED NOTE FOR 300 AMP CONTACTOR JUMPER	7/96	RWY
#	C	ADDED P9 CONNECTIONS	10/91	CLB	#	D	CHANGED AUX. CONTACT MON. 270-0079 TO 270-0121	12/91	TEP	#	J	ADD WIRING FOR NEW TOSHIBA CONTACTOR	4/27/99	WR
#	E	MOVED PHASE FILTER CONNECTIONS TO LOAD SIDE OF FUSES. CHANGED AUX. CON. 270-0121 TO 270-0123	6/92	DC	#	G	ADDED 800A WIRING P6-11 WAS WHT, P6-12 WAS BLK	5/95	DC					



P6, P7, AND P9 WIRE LIST

P6			P7			P9		
PIN NO.	WIRE COLOR	DESTINATION	PIN NO.	WIRE COLOR	DESTINATION	PIN NO.	WIRE COLOR	DESTINATION
1	BLACK/WHITE	CT 1A	1	GREEN	PHASE FILTER	1	YELLOW	PHASE UNDERVOLTAGE LED
2	BLACK/WHITE	CT 1B	2	BLACK	CT 5A	2	NOT CONNECTED	NOT CONNECTED
3	BLACK/RED	CT 2A	3	WHITE	CT 5B	3	BLACK	OPEN BREAKER
4	BLACK/RED	CT 2B	4	ORANGE	AUX.CONTACT MOD (NC)	4	BLACK	OPEN BREAKER
5	BLACK/YELLOW	CT 3A	5	BLACK	AUX.CONTACT MOD (COMMON)	5	GRAY	FUSE OPEN LED
6	BLACK/YELLOW	CT 3B	6	YELLOW	AUX.CONTACT MOD (ND)	6	PURPLE	PHASS LOSS LED
7	YELLOW/RED	F1	7	GREEN/WHITE	GND.MON.TRANS.GROUND	7	NOT CONNECTED	NOT CONNECTED
8	YELLOW/GREEN	F2	8	YELLOW/GREEN	CT 4A	8	WHITE/RED	FROZEN CONTACT RELAY (ND)
9	YELLOW/WHITE	F3	9	YELLOW	CT 4B	9	ORANGE	GND MONITOR LED
10	WHITE/GREEN	FRAME GROUND	10	GREEN	AUX.CONTACT MOD (ND)	10	RED	GND. FAULT TEST
11	BLACK	120 VAC	* 11	RED	CONTACTOR TBI-5	11	VIOLET	GND. FAULT LED
12	WHITE	120 VAC	12	VIOLET	AUX.CONTACT MOD (NC)	12	WHITE	PHASE OVERCURRENT LED
13	WHITE/RED	CONTACTOR TBI-1	13	NONE	NONE	13	GREEN	GND MONITOR TEST
* 14	BLACK/GREEN	CONTACTOR TBI-3	14	BLUE	AUX.CONTACT MOD (ND)	14	RED	FAULT RESET
15	RED	PILOT INTERLOCK				15	ORANGE	GND.
16	GREEN	CONTACTOR TBI-2				16	RED	GND. FAULT TEST
						17	WHITE/GREEN	FROZEN CONTACT RELAY (NC)
						18	WHITE/BLACK	FROZEN CONTACT RELAY (C)
						19	GREEN	CLOSE SWITCH
						20	NOT CONNECTED	NOT CONNECTED
						21	WHITE	+12 VDC
						22	BLACK	OPEN LED
						23	BLUE	BREAKER FAULT LED
						24	GREEN	GND MONITOR TEST

ALTERNATE WIRING FOR CB-1000-300

P6	P7				
PIN NO.	WIRE COLOR	DESTINATION	PIN NO.	WIRE COLOR	DESTINATION
14	BLACK/GREEN	CONTACTOR TBI-7	11	RED	CONTACTOR TBI-6

ALTERNATE WIRING FOR CB-1000-600

P6	P7				
PIN NO.	WIRE COLOR	DESTINATION	PIN NO.	WIRE COLOR	DESTINATION
14	BLACK/GREEN	CONTACTOR TBI-4	11	RED	CONTACTOR TBI-3

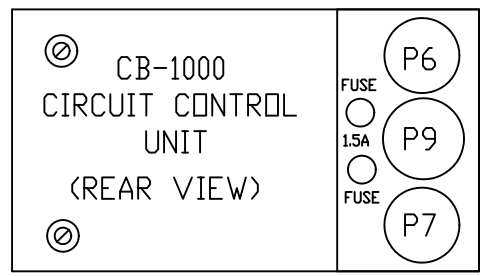
ALTERNATE WIRING FOR CB-1000-800

P6	P7				
PIN NO.	WIRE COLOR	DESTINATION	PIN NO.	WIRE COLOR	DESTINATION
14	BLACK/GREEN	CONTACTOR P1	11	RED	CONTACTOR P

ALTERNATE WIRING FOR CB-1000-600 (CONTACTOR CV1-JBU USING 270-0179 DIODE BRIDGE MODULE)

P6	P7				
PIN NO.	WIRE COLOR	DESTINATION	PIN NO.	WIRE COLOR	DESTINATION
14	BLACK/GREEN	CONTACTOR A2	11	RED	270-0179 MODULE DRN

PIN NO.	WIRE COLOR	DESTINATION
2	WHITE/GREEN	DATA (+) 2 WIRE (4 WIRE RX)
7	GREEN	DATA (-) 2 WIRE (4 WIRE RX)
11	VIOLET	DATA (+) 4 WIRE TX
20	BROWN	DATA (-) 4 WIRE TX



REV. 4/29/91 TEP	AMERICAN MINE RESEARCH
REV. 5/21/91 TEP	P.O. BOX 234 ROCKY GAP, VA. 24366
REV. 6/23/92 DC	CB-1000 INTERCONNECT
REV. 9/09/92 RWY	SCHEMATIC DIAGRAM
prepared WR 9-87	(PILOT WIRELESS)
checked	size code id drawing no.
engineer	no. 218-0096J
	scale sheet 1 of 1